



Outperform every day.™

Project:  
Item Number:  
Quantity:

Mirage® Cadet Countertop Induction Range

The Vollrath Company, L.L.C.

## MIRAGE® CADET COUNTERTOP INDUCTION RANGE



### DESCRIPTION

The portable countertop induction range is designed for light duty front-of-the-house cooking such as omelette and pasta stations; and as a heat source for front-of-the-house serving applications. The ranges plug into standard, dedicated 15A outlets which are readily available in most restaurants and kitchens.

The induction range comes complete with a 6-ft. (183 cm) power cord and plug. The top case frame is made from heavy-duty, 18-gauge stainless steel with a ceramic top. The ceramic top is easily cleaned with a mild cleaner. The bottom case assembly is durable molded plastic.

The induction ranges are equipped with a variety of safety features including:

- Over-heat protection
- Small-article detection
- Pan auto-detection function
- Empty-pan shut-off
- Safety auto-shut-off function

### Agency Listings — 59300



This device complies with Part 18 FCC Rules.

### Agency Listings — 59310



This device complies with Part 18 FCC Rules.

Due to continued product improvement, please consult [www.vollrath.com](http://www.vollrath.com) for current product specifications.

### ITEMS

- 59300 1.8kW @ 120V (US only)
- 59310 1.4kW @ 120V (US and Canada)

### FEATURES

- G1 engine with 1 IGBT switch for temperature control
- 1-20 power levels or °F/°C temperature level controls
- 20 power levels with optimum power output to a wide variety of induction-ready cookware
- 100°-400° F (38°-204° C) range
- Easy to read digital readout for power level
- 1-180 minute timer
- 75% efficiency rating
- Pushbutton controls
- Stainless steel case and top. Molded plastic bottom
- Ranges display HOT when unit is turned off, if the cooking surface is still hot
- Unit comes with cord and plug and does not require hard wiring

**WARRANTY:** All models shown come with Vollrath's standard warranty against defects in materials and workmanship. For full warranty details, please refer to [www.Vollrath.com](http://www.Vollrath.com).

### CLEARANCE AND ENVIRONMENT REQUIREMENTS

- This appliance is intended for use with induction-ready cookware.
- Not recommended for use with cookware with less than a 4¾ inch (12.1 cm) bottom diameter. Not recommended for use with Vollrath pans: N3817, 3150, 47755 and 69607.
- All models require unrestricted intake and exhaust air ventilation for proper operation of the controls. The maximum intake temperature must not exceed 110°F (43°C). Temperatures are measured in ambient air while all appliances in the kitchen are in operation.
- Countertop models require a minimum clearance of 4 inches (10.2 cm) at the rear and 1 inch (2.5 cm) at the bottom.

Approvals	Date



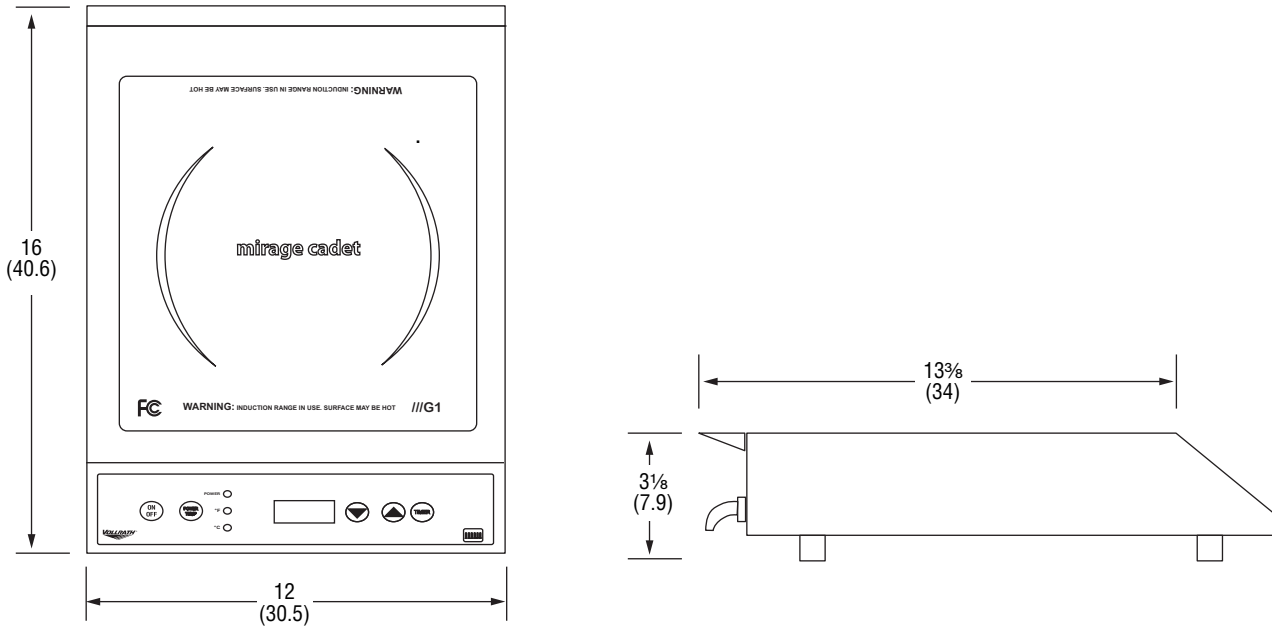
Outperform every day.™  
[www.vollrath.com](http://www.vollrath.com)

The Vollrath Company, L.L.C.  
1236 North 18th Street  
Sheboygan, WI 53081-3201 U.S.A.  
Customer Service: 800.628.0830  
Canada Customer Service: 800.695.8560  
Main Fax: 800.752.5620 or 920.459.6573

Technical Services: 800.628.0832  
Technical Services Fax: 920.459.5462

# MIRAGE® CADET COUNTERTOP INDUCTION RANGE

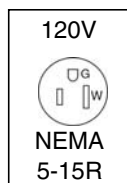
**DIMENSIONS** (Shown in inches (cm))



## SPECIFICATIONS

Item No.	Max Pan Size	kW Rating	Volts	Hz	Nominal Amps	Plug	Weight	Shipping Weight	Shipping Container
59300	14	1.8	120V AC	60	15	NEMA 5-15P	10 (4.5)	12.2 (5.5)	16 x 19¼ x 6½ (40.6 x 49 x 16.5)
59310	(35.6)	1.4			12				

### Receptacle



Outperform every day.™

[www.vollrath.com](http://www.vollrath.com)

The Vollrath Company, L.L.C.  
 1236 North 18th Street  
 Sheboygan, WI 53081-3201 U.S.A.  
 Customer Service: 800.628.0830  
 Canada Customer Service: 800.695.8560  
 Main Fax: 800.752.5620 or 920.459.6573

Technical Services: 800.628.0832  
 Technical Services Fax: 920.459.5462